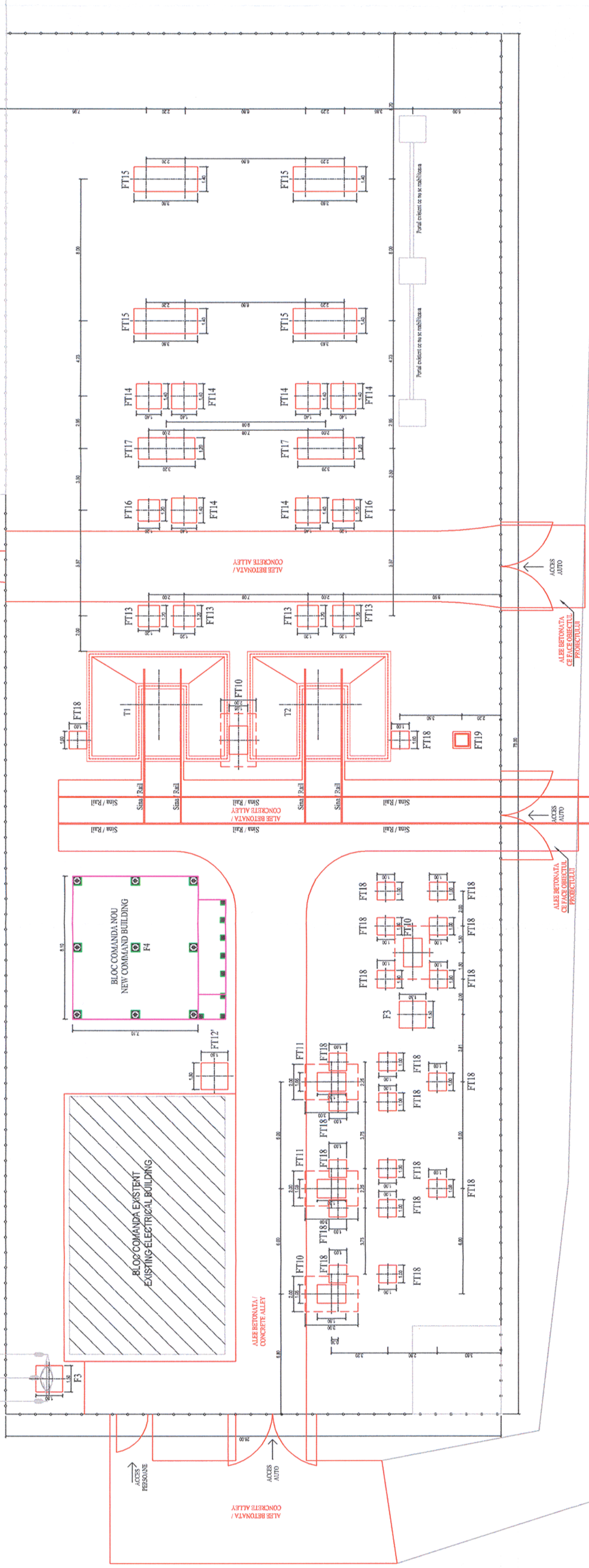


PLAN DE FUNDATII / FOUNDATION PLAN

Acest plan anuleaza si inlocuieste planul nr. PT.02.04.12.RE.09.002 elaborat la data 01.2013.

This layout plan canceled and replaced layout plan no. PT.02.04.12.RE.09.002 prepared on 01.2013.

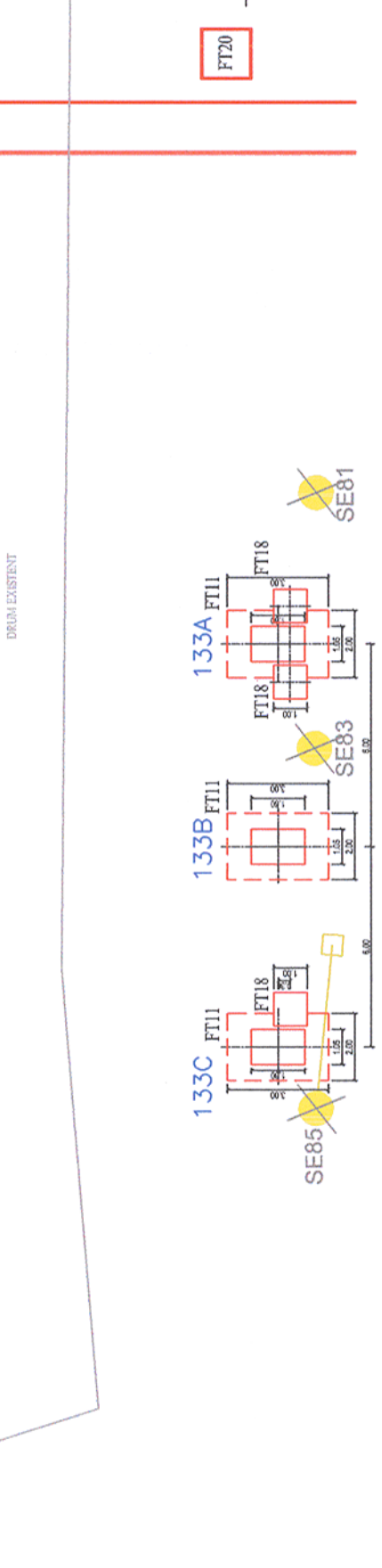
Proiectul de structura se va corela cu proiectul celorlalte specialitati (parte scrisa si parte desenate).
The structural project (blueprints, technical briefs, technical specifications) will be correlated with the other specialities' projects (blueprints, technical briefs, technical specifications)



MATERIALE:
 Beton simplu C8/10 ;
 Beton armat C20/25 CEM III/A-S 42.5 N ; sort 0-31 ;
 A/C : 0.55 ;
 Otel Beton Bst 500 ;
 Clasa de expunere: XC2

MATERIALS:
 Concrete C8/10 ;
 Reinforced concrete C20/25 CEM III/A-S 42.5 N ;
 sort 0-31 A/C : 0.55 ;
 Reinforcement Bst 500 ;
 Exposure class: XC2

LEGENDA / LEGEND:
 Fundatie stabl nou proiectata / Foundation of new designed pole
 Fundatie castru nou proiectata / Foundation of new designed gantry
 Gard nou / New fence
 Gard existent / Existing fence



Verificator / Expert Checker / Expert	Cerinta / Requirement Requirement	Semnatura / Signature Signature	Referat / Expertiza Report / Expertise
BENEFICIAR / BENEFICIARY : COMPANIA NATIONALA DE CAI FERATE "CFR" SA			
PROIECTANT / DESIGNER: 			
Aprobat / Approved	Sef de echipa / Team leader	C. Teodorescu	01.2013
Verificat / Checked	Expert Cheie / Key Expert	R. Witan	01.2013
Subcontractant / Subcontractor 			
Aprobat / Approved	Adjunct Sef de echipa / Deputy Team leader	A.M. Baicu	01.2013
Proiectat / Designed	Inginer / Engineer	G. Staticu	01.2013
"Reabilitarea liniei c.f. Frontiera - Curtici - Simeria, parte componenta a coridorului IV Pan - European pentru circulatia trenurilor cu viteza maxima de 160 km/h"		Project 9i 35311.1	
"Rehabilitation of the Railway Line Border - Curtici - Simeria, component Part of the IV Pan - European Corridor for the Trains Circulation with maximum speed of 160 km/h"		Faza / Phase: PTh+CS / TD+TS	
Denumire desen / Drawing name: Plan de fundatii - Substatiile de tractiune - Statiia Varadia / Foundation plan - Traction substations - V aradia Station			
Scara / Scale 1:200	Revizia / Revision 1/05.2013	Cod desen / Drawing Code PT.2B.04.12.RE.09.002	Nr / No 02/12